

ES8450 & TES8450 Series Extended Stem Valves BK9450 & BK9470 Series Extended Bonnet Valves

Application

For use as a trycock valve or hose drain valve on cryogenic tanks, or as a use, liquid fill, or vent valve on mini-bulk cryogenic tanks. These valves can be used also for other cold gas applications requiring extended stem valves as LNG fueling.

Features

- Union bonnet
- One piece stainless steel stem
- Conical seat design
- Maximum working pressure is 600 psig (42 barg)
- Working temperature is -320°F to +165°F (-196°C to 74°C)
- Cleaned for oxygen service per CGA G-4.1
- 100% Factory Tested

TES8450 Series specific feature:

- Grafoil® packing
- Approved by PED and TPED

ES8450 Series specific feature:

- Manual torque compression packing

BK9450 and BK9470 Series specific feature:

- Extended bonnet and spring loaded packing

BK9470 Series specific feature:

- 304 St. Stl Tube brazed into both ends

Materials

Body and Bonnet Brass
Stem Stainless Steel
Seat Disc PCTFE
Handwheel Aluminum
Bonnet Gasket PTFE

Conversion Kit

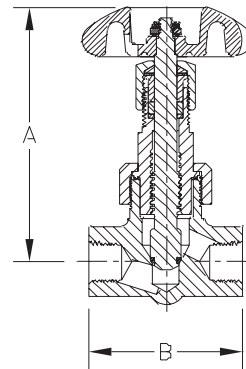
BK 9450-KIT is a bonnet and stem assembly kit to convert ES 8450 series and previous ES 9450 Series to the BK 9450 style.

Ordering Information

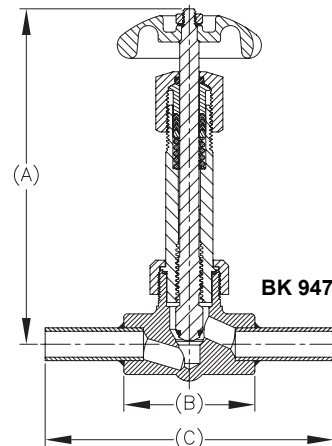
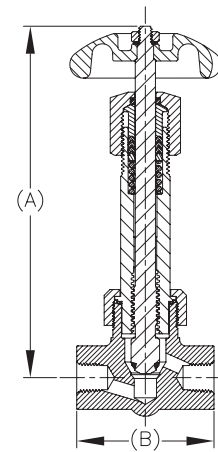
Part Number	Inlet/Outlet Connections	Packing	Height "A"		Body Width "B"		Width with Tube "C"		Cv (Kv)
			Inches	mm	Inches	mm	Inches	mm	
ES8452	1/4" FNPT	PTFE	4.2"	107	2.5"	63	N/A		0.70 (0.60)
TES8452		Grafoil							
ES8453	3/8" FNPT	PTFE	4.2"	107	2.5"	63	N/A		1.10 (0.95)
TES8453		Grafoil							
ES8454	1/2" FNPT	PTFE	4.2"	107	2.5"	63	N/A		1.10 (0.95)
TES8454		Grafoil							
BK9452	1/4" FNPT	PTFE	6.5"	165	2.5"	63	N/A		0.70 (0.60)
BK9453	3/8" FNPT								
BK9454	1/2" FNPT								
BK9453FA	5/8" OD tubing x 3/8" FNPT								
BK9475A	5/8" OD tubing both ends						4.0"	102	1.10 (0.95)
							5.5"	140	



ES 8450 Series



BK 9450 Series



BK 9470 Series

