

Stainless Steel Gate Valve for Cryogenic Service

110 Series

Application

RegO Goddard gate valves are designed for handling of cryogenic liquids through bulk tanks, trucks, trailers, ASU plants and piping configurations. Compatible with oxygen, nitrogen, CO2, argon and LNG.

Features

- **Top Entry:** This valve can be permanently installed in the line and serviced from the top
- **Soft Seated:** PCTFE Seat provides a bubble tight seal and is replaceable
- **Construction:** Body and Bonnet ASTM A351-CF8 J92600 Stainless steel
- **Sizes:** ½" - 6" (15mm - 150mm)
- **Ends:** RF Flange, Butt weld, Socket weld, Threaded (FNPT)
- **Service:** Liquefied and vaporized atmospheric gases, LNG
- WHZ valves with Grafoil® stem packing available
- **Temperature Rating:** -320°F - 150°F (-196°C +65°C)
- 100% Factory Tested
- Clean for use in oxygen per CGA G-4.1
- PED Approved
- **Pressure Rating:** (Cold, Non-shock)
Class 150 valve - 275 psig (19 barg)
Class 300 valve - 720 psig (50 barg)



110 Series



Ordering Information Stainless Body • RF Flange Ends

150# Part Number	300# Part Number	Valve Size		Ends	Weight 150#		Weight 300#		Estimated Cv (Kv)
		Inches	mm		Lbs.	Kg	Lbs.	Kg.	
GS-110W-8F	-	1"	25 mm	Flange	15	6.80	-	-	30.00 (25.95)
GS-110W-12F	GS-110W-12F3	1½"	40 mm		35	15.88	45	20.41	85.00 (73.52)
GS-110W-16F	GS-110W-16F3	2"	50 mm		35	15.88	50	22.68	100.00 (86.50)
GS-110W-24F	GS-110W-24F3	3"	80 mm		65	29.48	85	35.56	310.00 (268.15)
GS-110W-32F	GS-110W-32F3	4"	100 mm		90	40.82	120	54.43	700.00 (605.50)
GS-110W-48F	GS-110W-48F3	6"	150 mm		150	68.04	200	90.72	850.00 (735.25)

150# ANSI Class (275 psig (19 barg) Cold Working Pressure) 300# ANSI Class (720 psig (50 barg) Cold Working Pressure)

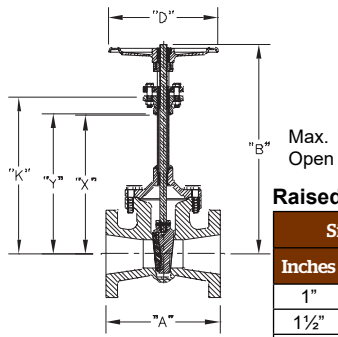
Ordering Information Stainless Body • Butt Weld, Socket Weld, Threaded Ends

150# Part Number	300# Part Number	Valve Size		Ends	Weight		Estimated Cv (Kv)
		Inches	DN		Lbs.	Kg.	
GS-110W-4WA	-	½"	15	Butt Weld SCH10	10	4.54	7.00 (6.05)
-	GS-110W-4S3			Socket Weld	15	6.80	
GS-110W-4T	-			Threaded	10	4.54	
GS-110W-6WA	-	¾"	20	Butt Weld SCH10	15	6.80	23.00 (19.89)
-	GS-110W-6S3			Socket Weld			
GS-110W-8WA	-	1"	25	Butt Weld SCH10	10	4.54	30.00 (25.95)
-	GS-110W-8S3			Socket Weld	15	6.80	
GS-110W-8T	-			Threaded	10	4.54	
GS-110W-12WA	-	1½"	40	Butt Weld SCH10	30	13.61	85.00 (73.52)
-	GS-110W-12S3			Socket Weld			
-	GS-110W-16W3A	2"	50	Butt Weld SCH10	35	15.88	100.00 (86.50)
-	GS-110W-16W3J			Butt Weld SCH40			
GS-110W-16S	-			Socket Weld			
-	GS-110W-24W3A	3"	80	Butt Weld SCH10	65	29.48	310.00 (268.15)
-	GS-110W-24W3J			Butt Weld SCH40			
-	GS-110W-32W3A	4"	100	Butt Weld SCH10	80	40.82	700.00 (605.50)
-	GS-110W-32W3J			Butt Weld SCH40			
-	GS-110W-48W3A			Butt Weld SCH10			
-	GS-110W-48W3J	Butt Weld SCH40					

150# ANSI Class (275 psig (19 barg) Cold Working Pressure) 300# ANSI Class (720 psig (50 barg) Cold Working Pressure)* Second number indicates valve for 300# part number. Service: 300#-720 psig (50 barg) Non-shock Cold • Service: 150#-275 psig (19 barg) Non-shock Cold
• Temperature Rating +150°F - 325°F (+65°C to -198°C) • Mounting plate option available

Stainless Steel Gate Valve for Cryogenic Service

110 Series

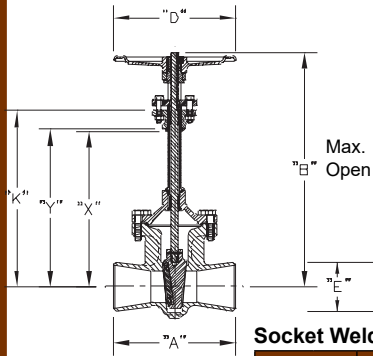


Raised Face Flange Ends*

Size		"A" 150#		"A" 300#		"B"		"D"		"K"		"X"		"Y"	
Inches	DN	Inches	mm	Inches	mm	Inches	mm	Inches	mm	Inches	mm	Inches	mm	Inches	mm
1"	25	4 ¹ / ₈ "	105	N/A	-	17 ³ / ₄ "	451	4 ¹ / ₂ "	114	12 ³ / ₄ "	324	11 ¹ / ₁₆ "	281	11 ³ / ₈ "	289
1 ¹ / ₂ "	40	4 ⁵ / ₈ "	118	6 ¹ / ₈ **	156	21 ¹ / ₈ "	556	7"	178	14"	356	12 ⁵ / ₁₆ "	313	12 ⁵ / ₈ "	321
2"	50	7"	178	7 ¹ / ₄ **	184										
3"	80	8"	203	8 ³ / ₄ **	222	31 ¹ / ₂ "	800	12"	305	20"	508	17 ³ / ₄ "	451	18 ¹ / ₁₆ "	459
4"	100	9"	229	12"	305	33 ³ / ₄ "	857			21 ¹ / ₂ "	546	19 ¹ / ₄ "	489	19 ⁹ / ₁₆ "	497
6"	150	10 ¹ / ₂ "	267	15 ⁵ / ₈ "	403	41 ¹ / ₂ "	1054	16"	406	26"	660	23 ⁹ / ₁₆ "	598	23 ³ / ₈ "	606

*Face-to-face dimensions (A) are Goddard standard not to ANSI standard.

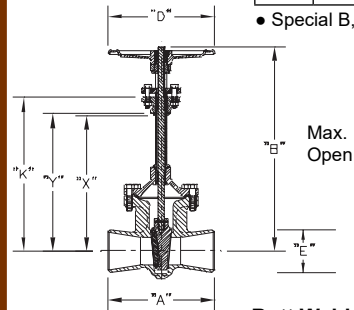
- Special B,K,X & Y Dimensions Available



Socket Weld Ends

Size		"A" 150#		"A" 300#		"B"		"D"		"E"		"F"		"K"		"X"		"Y"	
Inches	DN	Inches	mm	Inches	mm	Inches	mm	Inches	mm	Inches	mm	Inches	mm	Inches	mm	Inches	mm	Inches	mm
1/2"	15	3/4"	95	3 3/4"	95	17 3/4"	451	4 1/2"	114	.855	21	3/8"	10	12 3/4"	324	11 1/16"	281	11 3/8"	284
3/4"	20									1.065	27								
1"	25	3 1/2"	89	4"	102	21 1/8"	556	7"	178	1.330	34	1/2"	13	14"	356	12 5/16"	313	12 5/8"	321
1 1/2"	40	4 5/8"	118	5"	127					1.915	49								
2"	50	8 1/2"	216	N/A	-					2.406	61	5/8"	16						

- Special B,K,X & Y Dimensions Available



Butt Weld Ends

Size		"A" 150#		"A" 300#		"B"		"D"		"K"		"X"		"Y"	
Inches	DN	Inches	mm	Inches	mm	Inches	mm	Inches	mm	Inches	mm	Inches	mm	Inches	mm
1/2"	15	4 1/4"	108	N/A	-	17 3/4"	451	4 1/2"	114	12 3/4"	324	11 1/16"	281	11 3/8"	289
3/4"	20	4 5/8"	117												
1"	25	5"	127												
1 1/2"	40	6"	152	6"	152	21 1/8"	556	7"	178	14"	356	12 5/16"	313	12 5/8"	321
2"	50	8 1/2"	216	8 1/2"	216										
3"	80	11 1/8"	282	11 1/8"	282	31 1/2"	800	12"	305	20"	508	17 3/4"	451	18 1/16"	459
4"	100	12"	305	12"	305	33 3/4"	857			21 1/2"	546	19 1/4"	489	19 9/16"	497
6"	100	15 5/8"	403	15 5/8"	403	41 1/2"	1054	16"	406	26"	660	23 9/16"	598	23 3/8"	606

- Special B,K,X & Y Dimensions Available
- Unless otherwise specified, Schedule 10 weld ends are supplied