

Cylinder Valve for Propylene Service 9104PT and 9104PPA

Application

Designed for vapor withdrawal from and protection of DOT cylinders up to 100 lbs. propylene capacity with pressure ratings such as 4B-260, 4BA-260, and 4BW-260 cylinders.



Features

- Nylon tapered seat designed for positive closing.
- Relief is forged as part of the body for extra strength.
- Available with Fixed Liquid Level Gauge.
- 435 PSIG Relief Valve Setting.
- Meets TB27 requirements.
- 3/32" Markings.

Materials

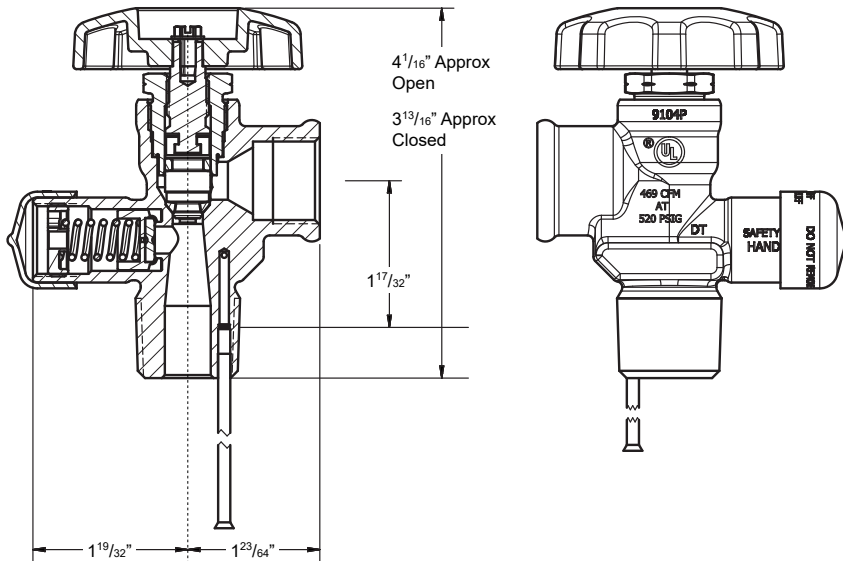
Body	Forged Brass
Handwheel.....	Aluminum
Stem	Brass
Seat Disc.....	Viton
Relief Spring.....	Stainless Steel
Relief Valve Setting	435 PSIG TB27



9104PT



9104PPA



Ordering Information

Part Number	Container Connection	Service Connection	Fixed Liquid Level Vent Valve Style	Dip Tube Length*	Pressure Relief Valve Setting	For use in Cylinders w/ Propylene Capacity up to:
9104PPA	3/4" M.NPT	F.POL - (CGA 510)	N/A	N/A	435 PSIG	100lbs
*9104PT10.1			Knurled	10.0"		
*9104PT10.7				10.7"		

* Valve can be ordered with other dip tube lengths. Specify required length when ordering. X = diptube size