

Excess Flow Valves for Liquid or Vapor Service 1519C Series

Application

Designed for top mounting in storage tank manhole covers for liquid or vapor applications. The tapped inlet allows for an optional 1" NPT dip pipe connection to withdraw liquid from the top of the tank.

The 1519C4 is designed for installation in long line or branch piping applications.

Features

- Precision machined
- Generous flow channels provide low pressure drop.
- Cotter pin prevents loss of spring retainer due to vibration in service.
- Stainless steel spring provides consistent closing flow and long service life.

Materials

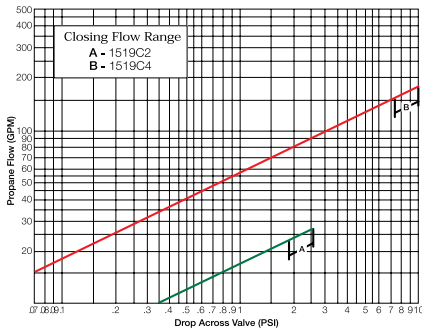
1519C2

Body Brass
 Valve Poppet w/Stem Brass
 Spring Stainless Steel
 Guide Brass

1519C4

Body Brass
 Valve Disc Cadmium Plated Steel
 Stem Stainless Steel
 Spring Stainless Steel
 Guide Ductile Iron

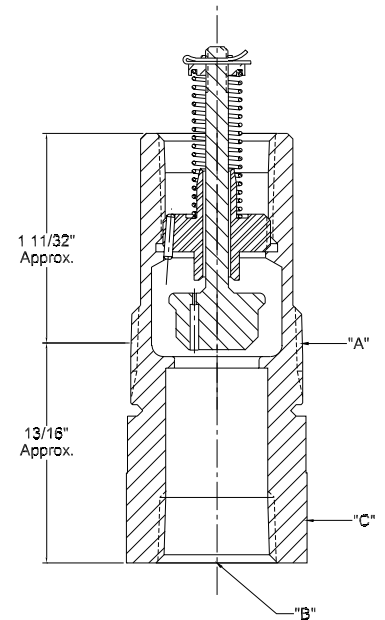
Performance



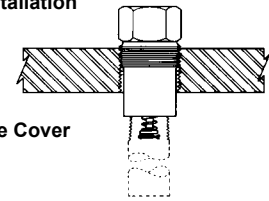
NOTE: Multiply flow rate by .94 to determine liquid butane flow.



1519C2



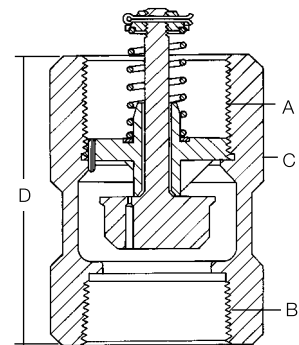
Typical Installation



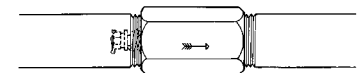
Manhole Cover



1519C4



1519C4



Typical Installation

Ordering Information

Part Number	A Inlet Connection NPT	B Outlet Connection F.NPT	C Wrench Hex Flats	D Effective Length (Approx.)	E Threaded End to Port	Approximate Closing Flows**		
						Liquid (GPM Propane)	Vapor SCFH (Propane)	
							25 PSIG Inlet	100 PSIG Inlet
1519C2	1 1/2" Male*	1"	2 1/4"	2 1/16"	2 11/16"	25	5,000	8,800
1519C4	2" Female	2"	3"	4 9/16"	-	170	28,590	48,600

* 1" Female Dip Pipe Connection

** Based on horizontal installation of excess flow valve. Flows are slightly more when valves are installed with outlet up; slightly less when installed with outlet down.
 NOTE: Multiply flow rate by .94 to determine liquid butane flow.