

Multipurpose Filler Valves

8118P and 8117

Application

Designed primarily for use as a Multipurpose valve with combination filler valve and manual shutoff valve for the outlet connection of the valve for use on LP-Gas containers.

This valve incorporates an integral excess flow valve. When product is required, the valve must be completely open and back seated to allow the excess flow valve to function properly as explained in the excess flow valve section of the Rego L-102 or L-500 catalogs.

Features

- Designed as a filler valve for LP-Gas with upper check and manual shutoff.
- Excess flow valve allows for maximum filling rates regardless of the length of the coupling the valve is installed in.
- Excess flow seat is fully contained in the tank coupling for maximum protection in the event of external damage to the valve.
- Breakaway groove protects the ACME in the case of a drive-away with the filler hose still connected.
- V-ring spring loaded stem assembly requires no repacking of field adjustment.
- Plugged ¼" NPT boss allows for a pressure gauge to be installed.
- The one-inch outlet port plugged.

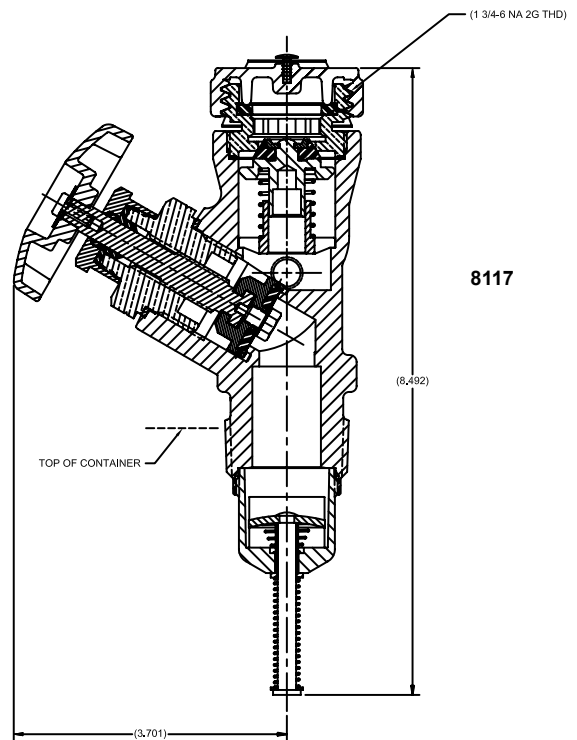
Materials

Body	Brass
Inlet Connection.....	Brass
Outlet Connection.....	Brass
Spring	Stainless Steel
Seat Disc	Synthetic Rubber
V-rings	Teflon
Excess Flow Valve.....	Stainless Steel

CE 0036



8118P



8117



Ordering Information

Part Number	Container Connection	Outlet Connection	Filler Connection	Plug	Filling Capacity at 20 PSIG Pressure Drop
8117	1¼" M.NPT	¾" F. NPT	1½" M.ACME	No	82 GPM
8118P		1" F. NPT		Yes	