

New Low Emission Filler Valve with Manual Shutoff Feature

7501L & 7502L

General Information

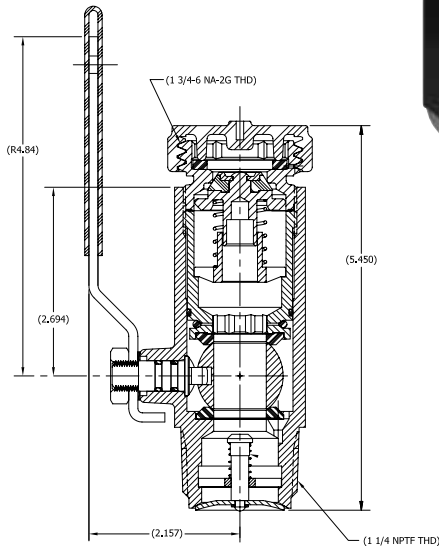
RegO Manual Double-Back Check filler valves that incorporate a resilient upper check and a **manual shutoff feature**. When filling a container from a delivery truck, this valve will allow flow into the container through the upper and lower check, when the manual lever is in the open position. When flow stops both the upper and lower checks will close; the lever is then turned to the closed position, the hose-end valve can then be removed from the filler valve.

Application

Designed for fast filling of larger DOT cylinders and ASME domestic containers; the 7501L and 7502L feature a manual shutoff in addition to upper and lower back checks.

Features

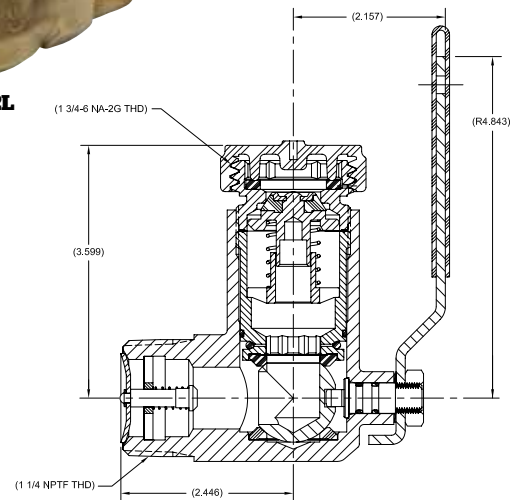
- Low emission 2 cc or less at disconnect.
- Meets NFPA 58 and UL requirements.
- Double back check provides added system protection.
- Checks are spring activated for quick precise closure when flow stops.
- Manual shutoff valve is designed to provide additional system protection when disconnecting hose end valve from filler valve.
- Hose end valve cannot be removed from the 7501L or 7502L if the lever is in the open position.
- When manual shutoff valve is closed, an integral back check prevents liquid from being trapped between the shutoff and the upper check.



7501L



7502L



Ordering Information

Part Number	Container Connection	ACME Hose Connection	Propane Liquid Capacity at Various Differential Pressures		
			15 PSIG	25 PSIG	50 PSIG
7501L	1 1/2" M.NPT	1 1/2" M.ACME	62 GPM	90 GPM	125 GPM
7502L					