

# Line Station Valves 7160 Series

## Application

7160 series valves are designed for use with oxygen and all fuel gases at station outlets of line distribution systems such as welder's benches, cutting stations, hospital rooms, etc.

## Features

- UL Listed Approved for oxygen and all gas services at 400 psig (28 barg) maximum working pressure
- All valves cleaned for use in oxygen per CGA G-4.1
- O-ring stem seal works with the pressure causing a tighter seal as pressure increases
- A reverse flow check valve installed in the valve outlet connection helps prevent reverse flow
- Available with brass cap and chain protection
- Meets the requirements of National Fire Protection Association (NFPA) Pamphlet No. 51
- Temperature range -40° F to +165° F (-40°C to +74°C)

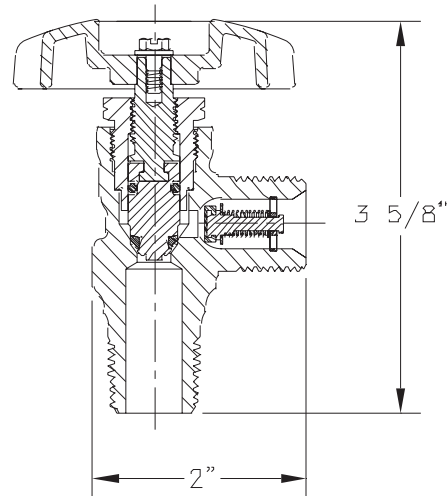
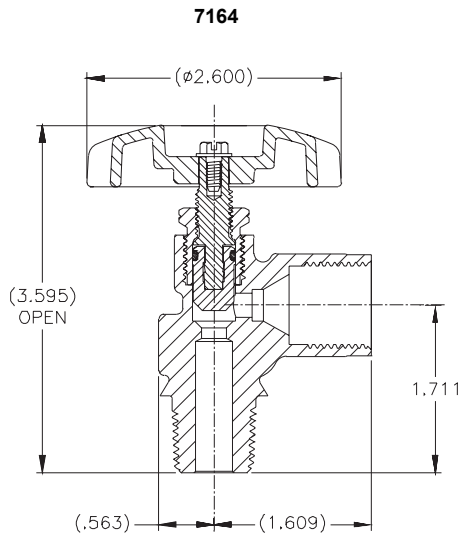
## Materials

Body .....	Brass
Stem and Seat Retainer .....	Brass
O-ring.....	Neoprene
Seat Disc .....	Nylon
Reverse Flow Check Seat.....	Neoprene



**7160 Series**

**7160 and 7161 Series**



## Ordering Information

Part Number	Gas Service	Inlet Thread	Outlet Thread	CGA Connection	C <sub>v</sub> (K <sub>v</sub> )	Outlet Protection*
<b>7160V</b>	Oxygen and Inert Gases	½" NGT	7/8" - 14 M. R.H.	024	.76 (0.65)	10663 Brass Cap & Chain
<b>7160VL</b>			None			
<b>7161V</b>	Fuel Gases		7/8" - 14 M. L.H.	025		10664 Brass Cap & Chain
<b>7161VL</b>			None			
<b>7164</b>	Inert Gases	½" NPT	7/8" - 14 F. R.H.	034	None	

\*Outlet Protection is recommended.