

# Right Angle Relief Valves NG900 Series

## Application

The NG900 series is designed specifically to avoid over-pressurization in LNG fuel tank applications and LNG installations. The NG900 Series is also compatible with oxygen, nitrogen, argon, helium, and hydrogen.

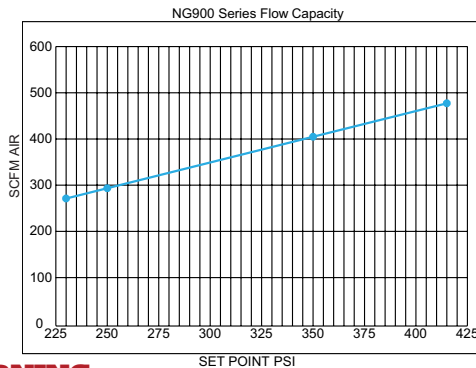
These valves open and close at preset pressures to ensure reliable performance at cryogenic temperatures.

## Features

- Optional pull lever for manual override
- 100% Factory tested
- Temperature range -320°F to +196°F (-196°C to +74°C)
- Designed in accordance with & approved by ECE R110
- Approved by PED and TPED

## Materials

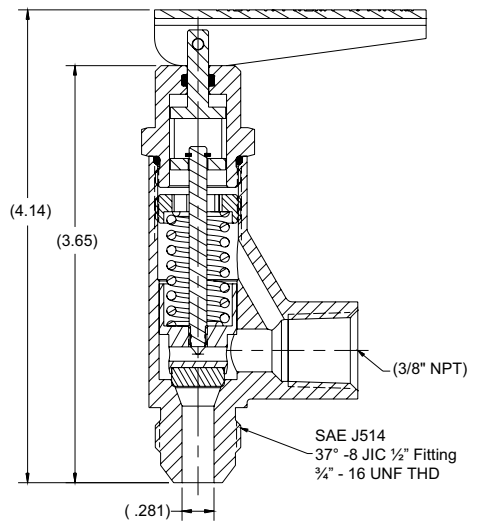
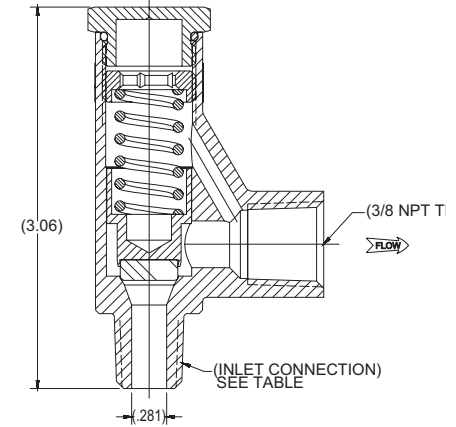
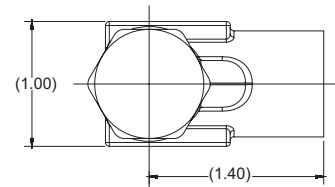
Spring Pin.....	Stainless Steel
Handle.....	Stainless Steel
O-rings.....	Fluorosilicone
Connector.....	Brass
Stem.....	Stainless Steel
Bonnet.....	Brass
Seat Disc.....	PTFE
Spring.....	Stainless Steel
Adjusting Screw.....	Stainless Steel
Body.....	Brass
Poppet.....	Brass



NG9002T



NG9008M



## WARNING:

Inspection and maintenance of pressure relief valves is very important. Failure to properly inspect and maintain pressure relief valves could result in personal injuries or property damage. The useful safe service life of a pressure relief valve may be significantly affected by the service environment.

## Ordering Information

Part Number	Inlet Connection	Outlet Connection	Manual Override	Pressure setting	
				psig	barg
NG9002T022	1/2" MNPT (6.35 mm)	3/8" FNPT (9.65 mm)	No	22	1.52
NG9002T058				58	4.0
NG9002T230				230	15.85
NG9002T250				250	17.23
NG9002T275				275	18.96
NG9002T350				350	24.13
NG9002T415				415	28.61
NG9003T230	3/8" MNPT (9.65 mm)	3/8" FNPT (9.65 mm)	No	230	15.85
NG9003T250				250	17.23
NG9003T350				350	24.13
NG9003T415	SAE J514 (37°-8JIC 1/2" fitting) (3/4"-16 UNF thread male)	3/8" FNPT (9.65 mm)	Yes	415	28.61
NG9008M230				230	15.85
NG9008M250				250	17.23
NG9008M280				280	19.30
NG9008M350				350	24.13
NG9008M415	415	28.61			

\*Contact your sales representative for additional settings.