

# Short Stem Cryogenic Valves

## T9450 Series and T9460 Series

### Application

The T9450 and T9460 series valves are designed for use on portable cryogenic cylinders, LNG fueling systems and other in-line shut-off valve applications. T9460 Series Approved for TPED in accordance with EN1626.

### Features

- Spring-loaded stem seal automatically adjusts for any gasket wear, eliminating the need to constantly retighten the packing nut
- Non-rising stem and low profile allow the valve to fit into tight areas and still provide easy access
- Unique pressure-sealed moisture barrier helps prevent freeze-up at cryogenic temperatures
- Conical swivel seal design helps prevent seat galling from over-torquing
- Cleaned for Oxygen service per CGA G-4.1.
- Maximum working pressure is 600 psig (42 barg)
- Working temperature range is -320°F to +165°F. (-196°C to +74°C)
- Designed in accordance with & approved by ECE R110
- 100% Factory Tested

### Materials

Body .....	Brass
Bonnet .....	Brass
Seat Disc .....	PCTFE
Stem Seal Gasket.....	PTFE
Handwheel.....	Aluminum
Spring .....	Stainless Steel
Stem .....	Brass
Poppet.....	Brass

### Ordering Information

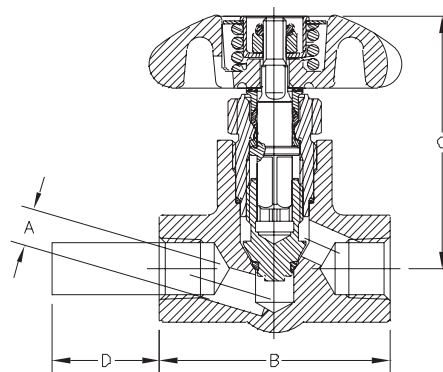
Part Number	Inlet	Outlet	Orifice A	Length B	Height (Approx.) C	Tube D	C <sub>v</sub> Factor
<b>T9452</b>	¼" FNPT	¼" FNPT	.250	2½"	2¾"	None	.99
<b>T9453</b>	⅜" FNPT	⅜" FNPT	.406				1.76
<b>T9454</b>	½" FNPT	½" FNPT	.406				1.79
<b>T9464CA</b>	.675" O.D. Tube	⅜" FNPT	.406	2½"	2¾"	1⅛"	1.76
<b>T9464DA</b>						2⅛"	
<b>T9464ADA</b>						3⅜"	



**T9450 Series**



**T9460 Series**



## Extended Stem Retrofit Kits

### Application

Retrofit kits are used to convert the 9450 and 9460 series short stem shut-off valves into extended stem style. The conversion can be done without removing the valve from your system. Available in two stem lengths. All kits are Oxygen cleaned and packaged per CGA G-4.1.

### Materials

Body .....	Brass
Seat Disc .....	PCTFE
Handwheel.....	Aluminum
Packing .....	PTFE
Stem .....	Stainless Steel
Stem Seal Gasket.....	PTFE

### Ordering Information

Part Number	Stem Length A	Style
<b>ES8450R</b>	4"	Extended Stem, Std. Bonnet, Manual Packing
<b>BK9450R</b>	6.5"	Extended Bonnet and Stem, Spring-loaded Packing

