

# Stainless Steel Globe Valves for Cryogenic Service

## SKS Advantage Series Short Stem

### Application

The SKS Series globe valves short stem are designed for handling of cryogenic liquids through bulk tanks, trucks, trailers, ISO-containers and piping configurations. Our time tested spring-loaded stem packing and superior seat design provide for long life and easy maintenance.

### Features

- Superior Flow: Provides high Cv for rapid and reliable loading and unloading.
- Designed with the unique Kold-Seal™.
- Conical PCTFE Seat: provides exceptional flow; bubble-tight seal; less chance of debris trapped in the seat and longer service life.
- Connections: Socket Weld and Butt Weld.
- Sizes: ¼" to 1½"
- Bonnet Type: Bolted.
- Pressure Rating: 720 psig (50 barg)
- Temperature Rating: -320°F (-196°C) to +150°F (+65°C).
- Service: Liquefied and Vaporized Atmospheric Gases and LNG for Trailers, Bulk Tanks, ISO-Containers and Piping Configurations.
- Cleaned for Oxygen service per CGA G-4.1.

### Materials

Body ..... Stainless Steel ASTM A351 CF8  
 Bonnet and Tube Stainless Steel ASTM A351 CF8/ASTM A479 type 304  
 Stem .....Stainless Steel ASTM A582 S30300  
 Spring .....Stainless Steel ASTM A313 S30200  
 Packing ..... Live-loaded PTFE Packing  
 Gasket ..... PTFE 25% Glass Fill  
 Seat Disc .....PCTFE ASTM D1430  
 Seat Retainer..... Brass ASTM B16  
 Bonnet Screws .....ASTM F837  
 Handwheel..... Painted Aluminum

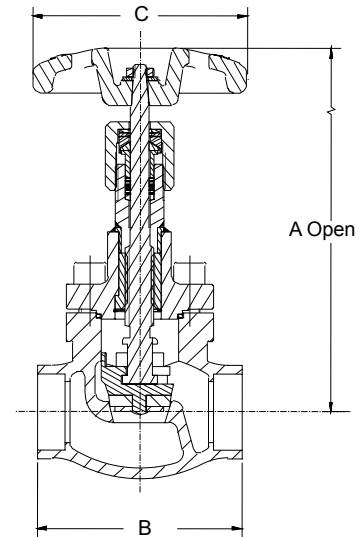
### Quality / Facility Features

- Material traceability in accordance with BS EN 10204 3.1
- CE Marking per European Pressure Equipment Directive

PED Certified



SKS9406BW



### Ordering Information

Part Number	Size Inches	Size DN	Connection	A Inches	A mm	B Inches	B mm	C Inches	C mm	Cv	Kv	Weight lbs	Weight kg
SKS9402SW	¼"	8	Socket Weld	6.7	170	2.7	68	4	102	1.7	1.47	2.64	1.20
SKS9404SW	½"	15								5	4.30	2.62	1.19
SKS9406SW	¾"	20								9.4	8.10	4.21	1.91
SKS9408SW	1"	25								14	12.10	4.10	1.86
SKS9412SW	1½"	40		7.0	178	4.7	120	5	127	28.3	24.45	7.16	3.25
SKS9402BW	¼"	8	Butt Weld	6.7	170	2.7	68	4	102	1.7	1.47	2.64	1.20
SKS9404BW	½"	15								5	4.30	2.62	1.19
SKS9406BW	¾"	20								9.4	8.10	4.21	1.91
SKS9408BW	1"	25								14	12.10	4.10	1.86
SKS9412BW	1½"	40								7.0	178	4.7	120